

Schottky Barrier Rectifiers

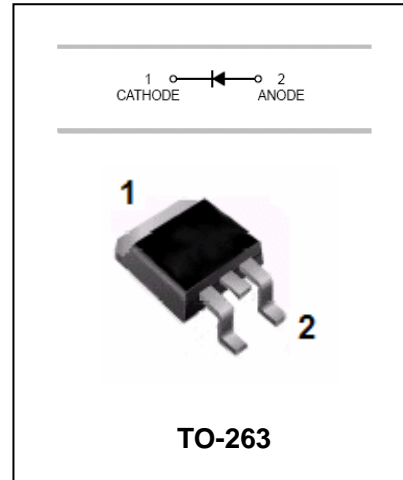
B15PS45

FEATURES

- Low leakage.
- Low forward voltage drop.
- Super long operating life.
- Plastic package has Underwriters Laboratory Flammability Classification 94V-0.



Lead-free



MAXIMUM RATING operating temperature range applies unless otherwise specified

Symbol	Parameter	Value	Unit
V_{RRM}	Recurrent Peak Reverse Voltage	45	V
V_{DC}	DC Blocking Voltage	45	V
$I_{F(AV)}$	Average Forward Rectified Current @ $T_A=25^{\circ}C$	15	A
I_{FSM}	Peak Forward Surge Current 8.3ms Single Half-sine-wave Superimposed on Rsted Load	300	A
$R_{\theta JA}$	Thermal Resistance to ambient	20	K/W
$R_{\theta JC}$	Thermal Resistance to case	2	K/W
T_j	Operating Junction Temperature Range	-55 to +150	°C
	In DC Forward Mode $\leq 1h$ (Note 1)	+200	
T_{stg}	Storage Junction Temperature Range	-55 to +150	°C

Note: 1.Meets the requirements of IEC 61215 Ed.2 bypass diode thermal test.



Schottky Barrier Rectifiers

B15PS45

ELECTRICAL CHARACTERISTICS@ $T_a=25^\circ\text{C}$ unless otherwise specified

Parameter	Symbol	Test conditions	Value	UNIT
Forward Voltage	V_F	$I_F=15\text{A } T_A=25^\circ\text{C}$ (max.)	0.58	V
		$I_F=7.5\text{A } T_A=125^\circ\text{C}$ (typ.)	0.42	
Reverse Current	I_R	$T_A=25^\circ\text{C}$	0.5	mA
		$T_A=100^\circ\text{C}$	50	
		$75^\circ\text{C}, 50\% V_{RRM}$ (typ.)	1	

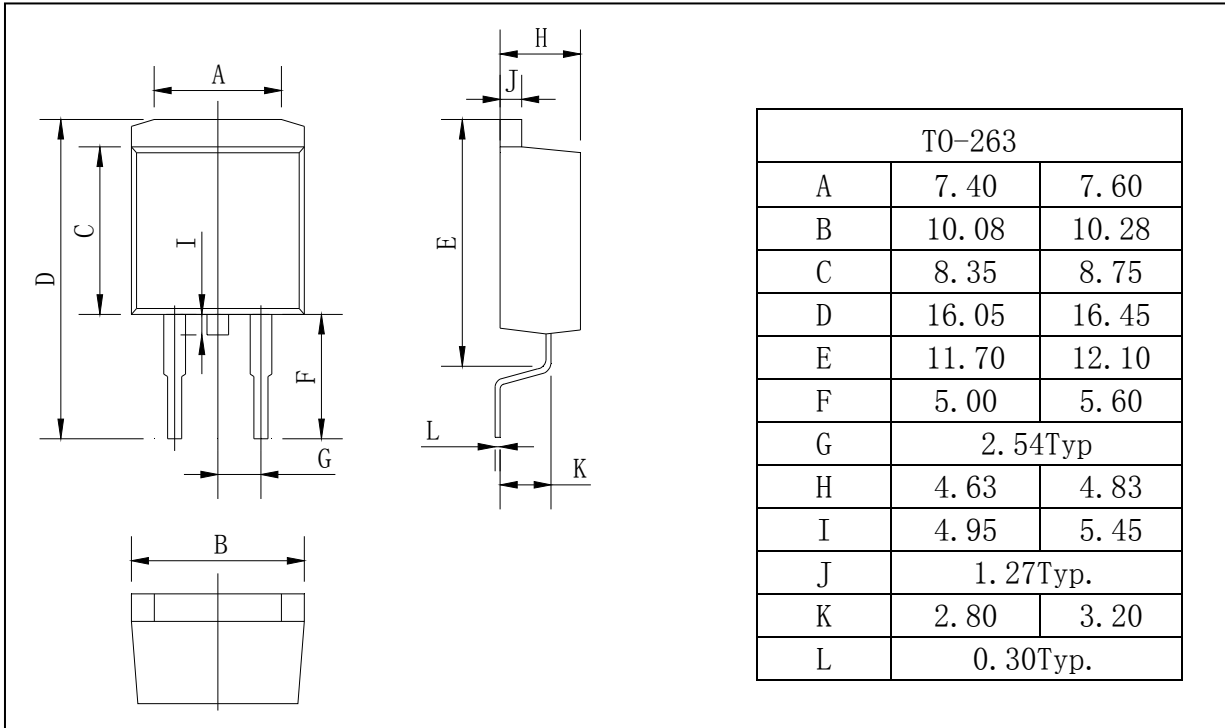
Schottky Barrier Rectifiers

B15PS45

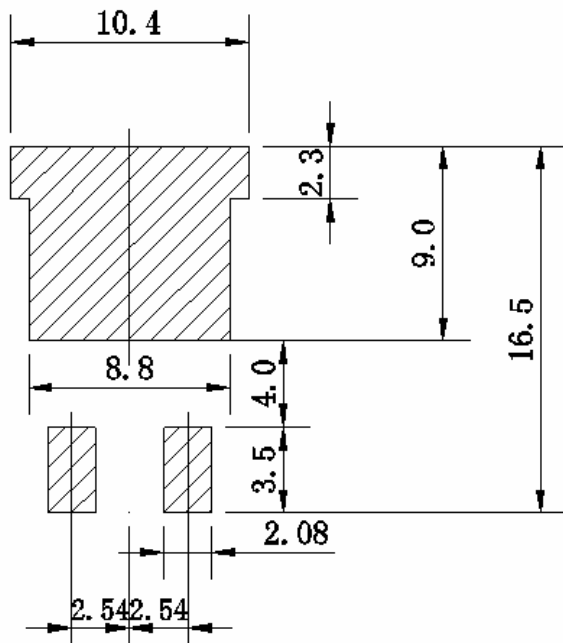
PACKAGE OUTLINE

Plastic surface mounted package

TO-263



SOLDERING FOOTPRINT



Unit:mm